

RAVENHEAT[®]

Sealed chamber boilers



LS
24-26-30-35

LS, simple and reliable.

Built in accordance to ISO 9001 standards with quality components. Every Ravenheat appliance undergoes a rigorous testing and operating procedures before being carefully packed for maximum protection, ready to leave the factory.

Structure and electronic



Thanks to intelligent electronics and programmable functions, it is possible to easily adapt the operation of the boiler to the actual needs of the user. By connecting an external probe, climatic thermoregulation operation is obtained during which the delivery temperature to the system is regulated according to the external air temperature, guaranteeing absolute comfort and optimizing running costs. The boiler is also equipped with an antifreeze function. The intuitive control panel and the display showing the temperatures and boiler operating status allow the end user easy management and programming.



Available accessories



Opentherm Smart remote control



External probe



Cover connections



Zone management

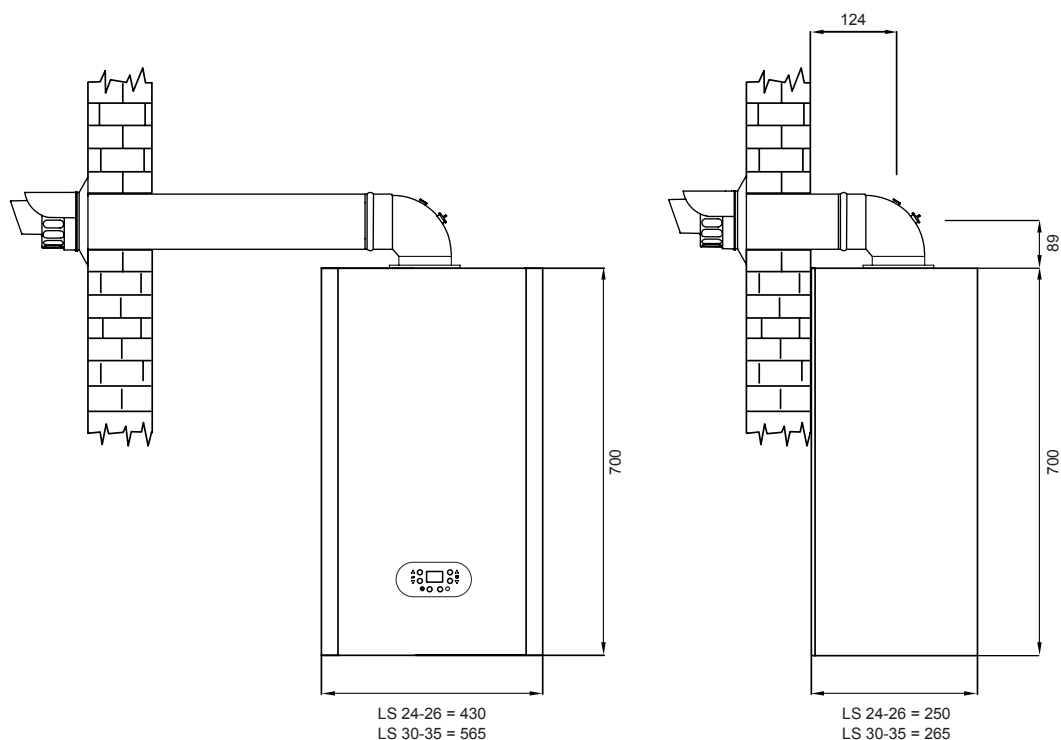


Built-in compartment kit

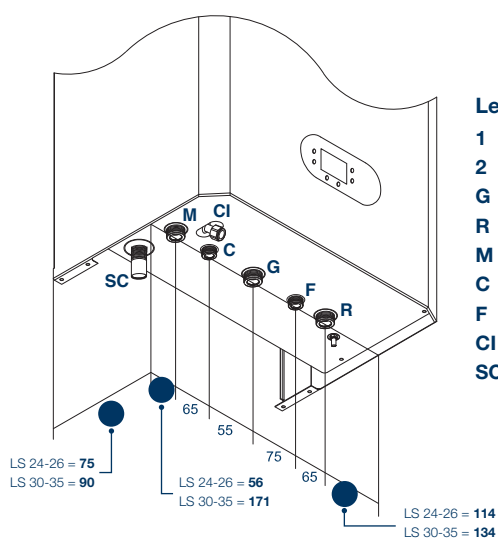
Technical data

		LS 24	LS 26	LS 30	LS 35
C.H. nominal heat input	kW	24	26	31	37.2
D.H.W. nominal heat input	kW	24	26	31	37.2
Minimum heat input	kW	10,5	9	9	9
Useful efficiency nominal heat input (80/60 °C)	%	92.1	92.1	92.5	92.5
Useful efficiency nominal heat input (30 °C return)	%	88.1	88.1	89.8	89.8
Electrical protection index	IP	IP X4D	IP X4D	IP X4D	IP X4D
C.H. water maximum pressure	bar	2,5	2,5	2,5	2,5
C.H. temperature range	°C	35-80	35-80	35-80	35-80
C.H. low temperature range	°C	27-50	27-50	27-50	27-50
D.H.W. with $\Delta T=30$ °C	L/min	11.9	14	17.2	20.1
D.H.W. minimum flow rate	L/min	2	2	2	2
C.H. connections	Ø	3/4"	3/4"	3/4"	3/4"
D.H.W. connections	Ø	1/2"	1/2"	1/2"	1/2"
Gas connection	Ø	3/4"	3/4"	3/4"	3/4"
Flue type	C13 - C33 - C53-C63 - C83				
Maximum flues length (60/100)	m	3	3	3	3
Maximum flues length (80/125)	m	6.5	6.5	6.5	3
Maximum flues length (80/80)	m	10	10	10	10
Dry weight	Kg	26	26	30	30
Dimensions	mm	700 x 430 x 250		700 x 565 x 265	

Dimensions

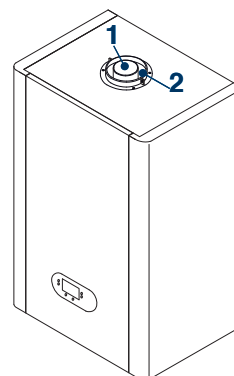


Connections dimensions



Legend

- 1** Flue exhaust
- 2** Air intake
- G** Gas (3/4")
- R** Heating return (3/4")
- M** Heating flow (3/4")
- C** D.H.W. (1/2")
- F** Cold water (1/2")
- CI** C.H. load
- SC** Condensate drain



Horizontal section position
of the for 60/100 discharge pipes

AR Riscaldamento S.p.A.

Viale dell'Industria, 26/b - 37040 Veronella (VR) - Italy - www.ravenheat.eu

Due to the constant policy of product improvement and with the aim of responding better and better to the needs of the market, AR Riscaldamento S.p.A. reserves the right to make changes to the technical data and anything else contained in this publication, without prior notice. Furthermore, it declines all responsibility for possible inaccuracies contained, if attributable to printing or transcription errors.